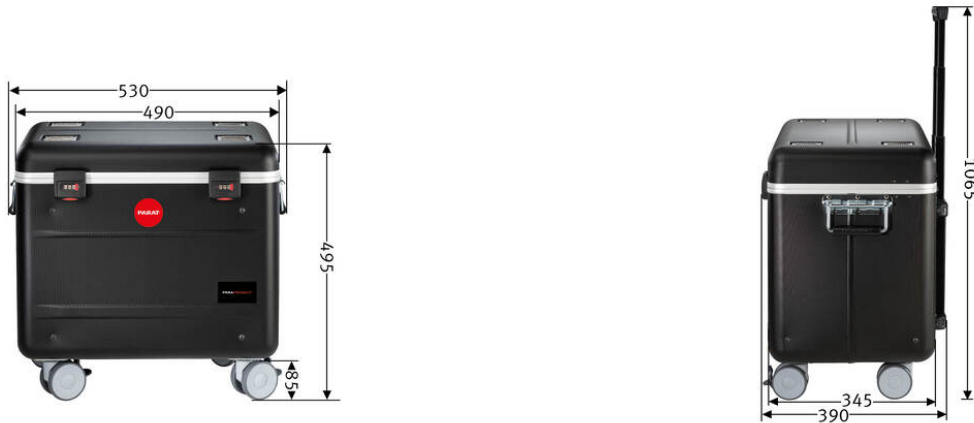


# PARAPROJECT®

## Case C10

charging , transport , storage



Part denomination	PARAPROJECT Case C10 Charge Only, 15.6", black
Part number	208.630-151
GTIN /EAN	4006793898912
Field of application	Education , Health Care
Certificates	CE / REACH / RoHS
Applicable standards	DIN EN 60950-1 / DIN EN 55022 / DIN EN 55035
Scope of delivery	- PARAPROJECT® Case C10 - device connection cable, EU, length: 5 m - 5 y-adapter with 2 IBM sockets (C5, 3-pin) - 5 y-adapter with 2 Euro-8 sockets (C7, 2-pin) - user guide
Materials	- aluminium - Con-Pearl® - X-ABS plastic
Transport	4-fold telescopic handle / 2 carrying handles / combination lock / 4 smooth-running castors ø 75 mm (with 2 lockable castors)
External dimensions (WxDxH)	530 mm x 390 mm x 495 mm
Weight	10000 g
Transport dimensions	540 mm x 400 mm x 530 mm
Dimensions of euro-palettes	1200 mm x 800 mm x 1740 mm
Number of euro-pallet	6
customs tariff number	42021250
Country of origin	RO

# PARAPROJECT®

## Case C10

charging , transport , storage

Fittings	<ul style="list-style-type: none"> <li>- Interior technical equipment:</li> <li>- 10 storage compartment (W x D x H: 35/25 (zig-zag arrangement) x 255 x 350 mm) for tablets or laptops</li> <li>- storage compartment for accessories such as access point, router and/or Apple TV</li> <li>- 10 rubber loops for original power supply units</li> <li>- 2 Schuko sockets for e.g. master laptop or access point</li> <li>- Case lid:</li> <li>- napped foam</li> <li>- air vents in the lid and bottom tray</li> <li>- External technical equipment:</li> <li>- central power supply with protective cap</li> <li>- on/off-switch</li> <li>- 4-fold telescopic handle</li> <li>- 2 carrying handles</li> <li>- combination lock</li> <li>- 4 smooth-running castors <math>\varnothing</math> 75 mm (with 2 lockable castors)</li> </ul>
Compatible devices	All tablets or laptops up to 15,6" that can be charged with their own power supply unit , ultrabook
Max. number of devices	10
Operating system	Chrome OS / macOS / Windows
Cable types for equipment	y-adapter with 2 IBM sockets (C5, 3-pin) ; y-adapter with 2 Euro-8 sockets (C7, 2-pin)
Power supply	use of customer's own power supply units
Output power per port	max. 2,5 A
Optional accessories	<ul style="list-style-type: none"> <li>- y-adapter with 2 Euro flat sockets</li> <li>- external weekly timer</li> </ul>
Lock types	combination lock
Connections	<ul style="list-style-type: none"> <li>- outside:</li> <li>- central power supply with protective cap</li> <li>- main switch</li> <li>- inside:</li> <li>- 5 IBM sockets (C5, 3-pin)</li> <li>- 5 y-adapter with 2 IBM sockets (C5, 3-pin)</li> <li>- 5 y-adapter with 2 Euro-8 sockets (C7, 2-pin)</li> <li>- 2 Schuko sockets</li> </ul>
Data of currents	<ul style="list-style-type: none"> <li>- 100 - 240 V</li> <li>- max. 8 A</li> <li>- 50/60 Hz</li> </ul>
Dimension of pockets	35 / 25 (Zick-Zack Anordnung der Fächer) x 255 x 350 mm (+ 40 mm zusätzliche Höhe dank Kofferdeckel)
Color	black

product image similar / information without content / subject to errors and changes / all dimensions in mm

# PARAPROJECT®

## Case C10

charging , transport , storage



- storage compartment for power units



- central power supply with protective cap